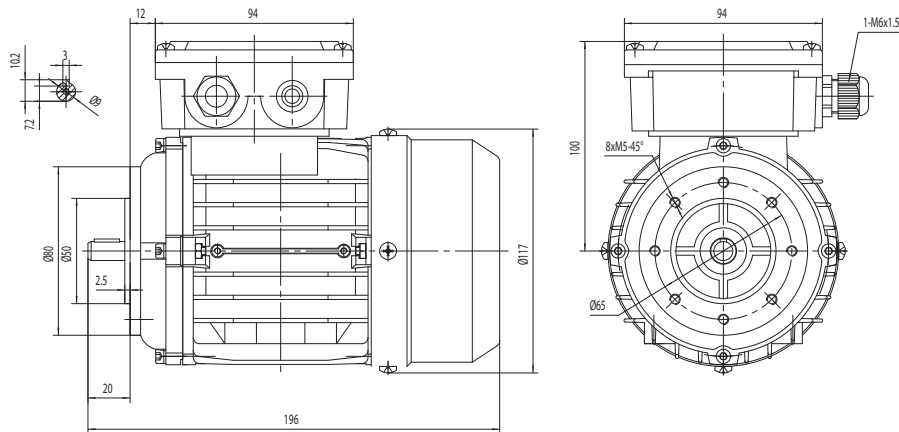


Type MS 562-4

Cod. E056Y40,094A5S00000T

Mounting position

IM	B14
IM	3601



Electrical data			
Rated motor power	0.09		Kw
Rated motor speed	1320		min ⁻¹ 50Hz
	1585		min ⁻¹ 60Hz
Rated motor frequency	50		Hz
Rated motor voltage(+/-10%)	230		VΔ/50Hz
	400		VY/50Hz
	280		VΔ/60Hz
	480		VY/60Hz
Rated motor torque	0.498		Nm (Mn)
Rated motor current	0.74	VΔ/50Hz	A (In)
	0.43	VY/50Hz	A (In)
Starting motor current	6		xIn
Starting motor torque	2.3		xMn
Breakdown motor torque	2.4		xMn
Starting			D.O.L.
Efficiency class	IE1		
Efficiency	50Hz	60Hz	
	50	-	100% load
	-	-	75% load
	-	-	50% load
Power factor cosφ	0.61	0.61	100% load

General data		
Frame size	56	
Mounting	B14	
Weight	-	Kg
Casing material	Aluminum	
Protection	IP	55
Insulation class	H	
Tropicalization	Yes	
Vibration class	N	
Duty	S1	
Direction of rotation	Bidirectional	
Method of cooling	IC	411
Cable entry	1-M16x1.5	
Standards	IEC/DIN/ISO/VDE/EN	
Execute at Standard	IEC 60034-1	
Feet removable	Yes	
Paintwork	RAL 7024	Standard
Thermal protections	n/a	

Site conditions	
Ambient temperature	from -20°C to +40°C
Altitude above sea level	1000 m

Mechanical data						
Noise level	LpA	63	dB(A)	Bearing DE side	6201-2RS-C3	
	LwA	72	dB(A)	Bearing NDE side	6201-2RS-C3	
Moment of inertia	0.00024		Kgm ²	Average bearing lifetime	40000 h	
Bearings type			C&U	Relubrication interval L1 DE bearing	life h	
Lubricants for bearings	See installation and maintenance manual			Relubrication interval L1 NDE bearing	life h	
				Compensation ring	NDE SIDE	standard

Type: MS562-4
Output: 0.09 kW
Frequency: 50 Hz

Voltage: 400/230 V
Connection: Y/Δ
Duty: S1

Design list No.: SHANGHAI TOP MOTOR
Report No: 20090111004

Test Item		Standard		Result	
		Nominal	Tol		
1.	Efficiency %			52.7	
2.	Power Factor			0.595	
3.	Tem. Rise of Stator Winding K			50	
4.	Vibration mm/s				
5.	Noise Lp dB (A) (Lw)				
6.	Max Torque/Rated Torque			2.80	
7.	Breakdown Torque/Rated Torque			2.59	
8.	Locked Rotor Tor./Rated Tor.			2.85	
9.	Locked Rotor Cur./Rated Cur.			3.15	
10.	High Voltage Test V			1800	
11.	Hot Insulation Res. of Stator Winding MΩ			300.0	
12.	Temperature of Bearing °C			32	
13.	Unbalance of Current %			0.61	
14.	Full Load line Current A			0.4143	
15.	Full Load input W			170.7	
16.	Full Load torque Nm			0.6241	
17.	Max.temp.of enclosure surface °C			30.0	
18.	No Load Current A			0.3794	
19.	Slip %			8.193	
20.	Stator Winding phase resistance Ω (75°C)			107.86	
21.	Stray Load Loss W			0.8536	
22.	No Load Stator Power W			56.47	
23.	Core Loss W			12.97	
24.	Friction & Windage Loss W			3.120	
25.	Locked Rotor Power W			765.9	
26.	Stator I ii R Loss W			55.41	
27.	Rotor I ii R Loss W			8.383	
28.	Locked Rotor Voltage 100.0V	Current A	0.2518	Power W	28.87
Remark:					

Check:

Operator:

Type: MS562-4

Voltage: 400/230 V

Client: SHanghai Techtop Motor. co. , LTD

Output: 0.09 kW

Degree of Protection: IP55

Product No. : 2015-01-04

Frequency: 50 Hz

Connection: Y/Δ

Report No. : 20150311001

